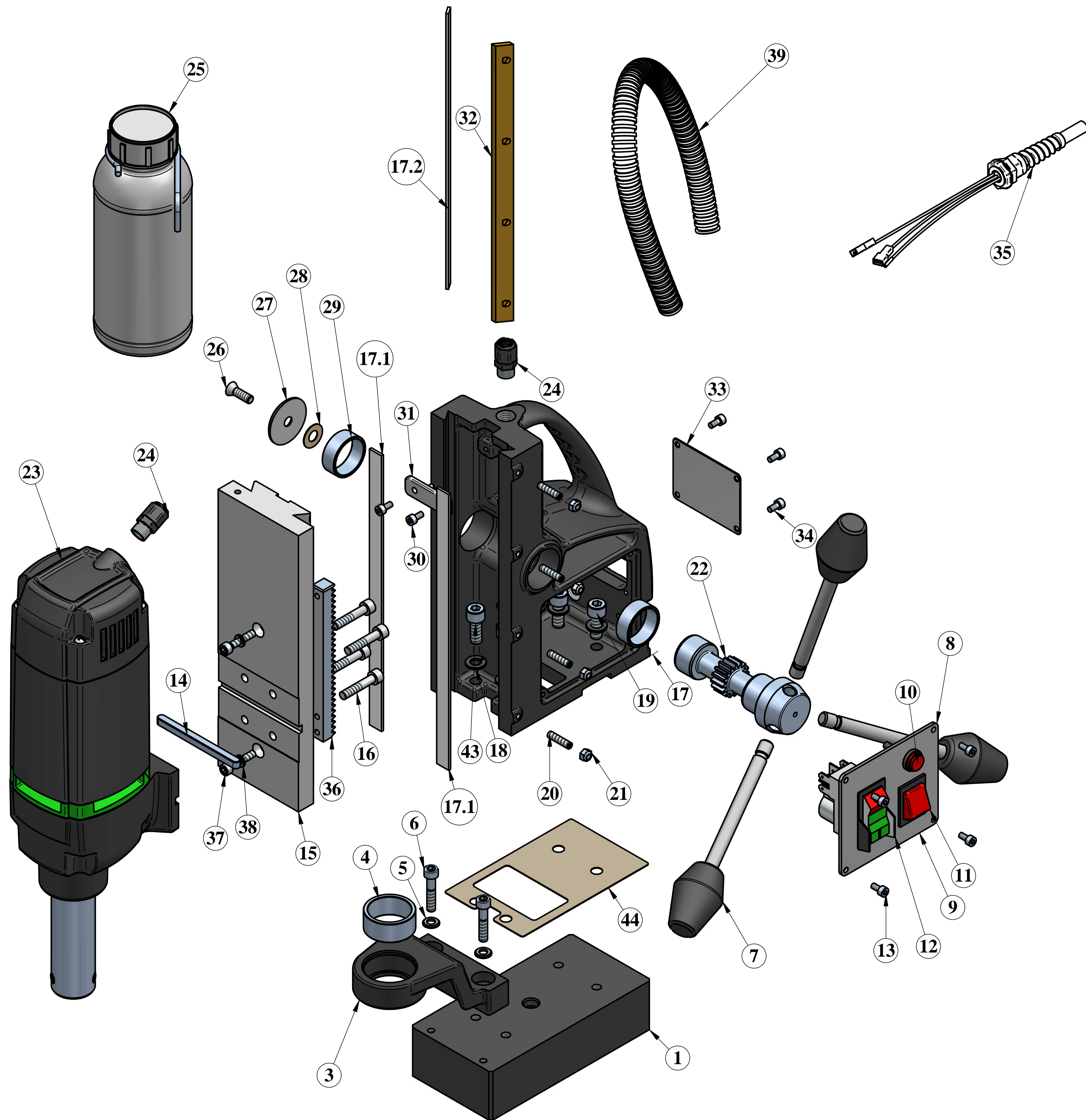


KBM 38



Sr.No.	PART NAME	PART No.	QTY
1	BASE SA	219901	1
2	NRB BRACKET SA	219913	1
3	NRB BRACKET (210106)		
4	SLEEVE BUSH (210214)		1
5	PLAIN WASHER M6	101709100	2
6	SH SCREW M6 x 30	101750100	2
7	HANDLE LEVER SA	219902	3
8	SWITCH PLATE SA	219905	1
9	SWITCH PLATE (219905)		1
10	FUSE 8 amp (121317100)		1
11	MAIN SWITCH (101302100)		1
12	POWER PROTECTION SWITCH (101320100)		1
13	SH SCREW M4x8	121761100	4
14	KEY	210215	1
15	GUIDE PLATE	210105	1
16	SH SCREW M6 x 30	101750100	4
17	MAIN BODY SA	219952	1
17.1	GUIDE STRIP 12mm	210310	2
17.2	GUIDE STRIP 8mm	210311	1
18	SPRING WASHER M8	101710100	4
19	SH SCREW M8 x 25	121756100	2
20	SCH GRUB SCREW M5 x 20	211701	4
21	LOCK NUT M5	101760100	4
22	SPINDLE	210202	1
23	DRILL UNIT	209913	1
24	GLAND PG9	211309	2
25	COOLANT BOTTLE SA	219912	1
26	COUNTERSUNK SCREW M6 x 16	211705	1
27	SPINDLE CAP	210217	1
28	LOCK FOIL	210301	1
29	SPINDLE BUSH	210203	2
30	SH SCREW M4x8	121761100	2
31	CORD CLAMP	210406	1
32	GIB	210501	1
33	SPEC PLATE	211404	1
34	SH SCREW M4x8	121761100	4
35	SPIRAL GLAND	109909102	1
36	RACK	210201	1
37	SH SCREW M5 X 25	121763100	2
38	INT. TOOTH LOCK WASHER (M5)	101739100	2
39	CABLE CONDUIT	211306	1
40	BRIDGE RECTIFIER *	211310	1
41	BELT CLAMP SA *	219911	1
42	GUIDE PIN 8 MM *	100211200	1
43	SH SCREW M8 x 20	101708100	2
44	MAIN BODY GASKET	210318	1

PART NOT SHOWN - *

PART NO.
211454

REV:
1