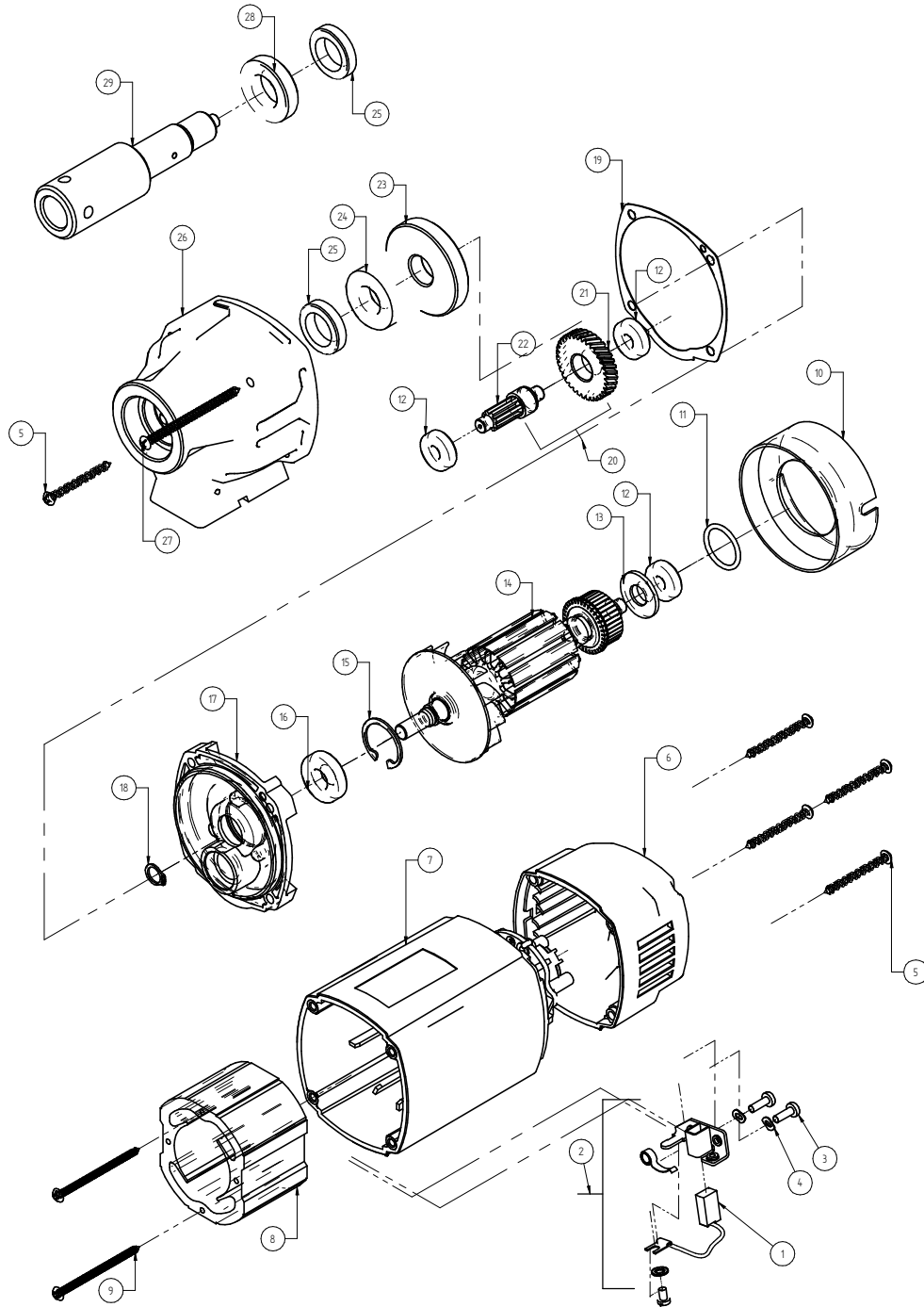


KBM 35 I-DRILL UNIT 230 V



Sr.no	PART NAME	PART no.	QTY
1	Carbon Brush SA	0580700013	2
2	Brush Holder SA	209902	2
3	CH Screw M4x12	161710100	4
4	Wave washer M4 type B	421704	4
5	Phillip head self tap screw 4.8x45	201716	6
6	Back cover	200403	1
7	Field Case	200401	1
8	Field SA	77117150	1
9	Phillip head self tap screw 3.9x65	181732	2
10	Baffle	200402	1
11	O ring	200303	1
12	Ball Bearing (8-22-7) 608 2Z	110902101	3
13	Dust washer	200404	1
14	Armature SA	77117100	1
15	Circlip 28mm x 1.2 B TYPE	201704	1
16	Ball Bearing (12-28-8)6001 2Z	190901	1
17	GC Cover green colour	380108	1
18	Circlip 10mm x 1 A TYPE	111713100	1
19	Gasket	380301	1
20	Inter shaft SA	389903	1
21	Inter Gear (7731N470)		1
22	Inter Shaft (380201)		1
23	Spindle Gear	74010430	1
24	Ball Bearing (17-35-10) 6003 2RS	190905	1
25	Oil Seal	210302	2
26	Gear case black	210133	1
27	Phillip head self tap screw 4.8x70	201717	2
28	Ball Bearing (20-37-9) 6904 2RS	200903	1
29	Spindle	7401Z420	1

PART NO.	REV:
211453	1

☆ PARTS NOT SHOWN IN FIG.